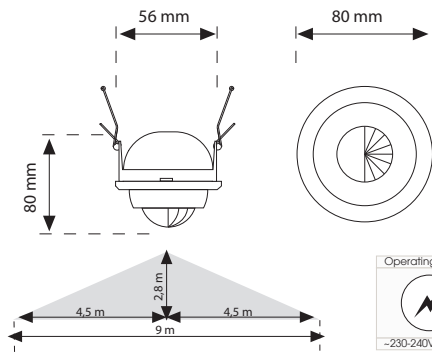


Sensors

Motion Sensor 10365

Perfect detection thanks to digital technology.
 Ability to adjust between 18°-360° by angle apparatus
 30° right-left swivel sensor module.
 360° detection area.
 Adjustable time delay, lux settings.
 Easy flush mount installation.
 IP Rating: IP20.



Operating voltage	Lighting load	Detection angle	Installation height	Time adjustment	Lux adjustment	Operating temperature	Protection class
-230-240V / 50 Hz	1000W / 400W	360° Max 9 m	2.8 m	10 sec - 5 min	2-2000 lux	-20 °C - +40 °C	IP 54 Class II