

na·De®

Sensors

Motion Sensor 10361

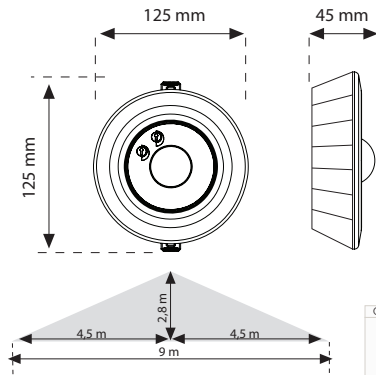
Perfect detection thanks to digital technology.

360° detection area.

Adjustable time delay, lux settings.

Easy mounting on the surface.

IP Rating: IP20.



Operating voltage	Lighting load	Detection angle	Installation height	Time adjustment	Lux adjustment	Operating temperature	Protection class
-230-240V / 50 Hz	1000W / 400W	360° Max 9 m	2.8 m	10 sec - 5 min	2-2000 lux	-20 °C - +40 °C	IP 20 Class II

Sensors

Motion Sensor 10362

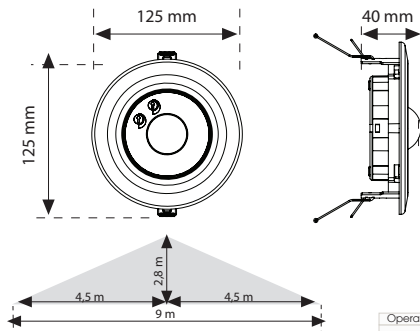
Perfect detection thanks to digital technology.

360° detection area.

Adjustable time delay, lux settings.

Easy mounting on the surface.

IP Rating: IP20.



Operating voltage	Lighting load	Detection angle	Installation height	Time adjustment	Lux adjustment	Operating temperature	Protection class
-230-240V / 50 Hz	1000W / 400W	360° Max 9 m	2.8 m	10 sec - 5 min	2-2000 lux	-20 °C - +40 °C	IP 20 Class II