

SPECIFICATIONS

RH1



RH2



PRODUCT FEATURES

Standard Finishing : **NSB** Natural Shot Blast
 : **NLB** Natural Light Blast

Customised Length : Maximum length is 3300mm
 Please contact local Agent/
 Distributor for more information

Special Finishings : **BHL** Black Hair Line
 Subject to Minimum Order Quantity
 (MOQ), leadtime and price

Customised Length : Maximum length is 3300mm
 Please contact local Agent/
 Distributor for more information

ELECTRICAL

Rated Voltage : 250V a.c. Single-phase
 Rated Current : 40Amp maximum
 Frequency : 50Hz / 60Hz

MATERIAL

Track Material : Aluminium
 Insulation Material : Polycarbonate

SIZE AND WEIGHT

RH1 Overall Dimension : 80mm x 57mm (Width x Depth)
 Weight (Per meter) : Estimated 2.6 kilograms

RH2 Overall Dimension : 80mm x 33.8mm (Width x Depth)
 Weight (Per meter) : Estimated 2.2 kilograms

MULTIMEDIA CONNECTORS (Optional)



VGA 15-pin
Connector
(DE15F)



USB Type A
Connector with
1.8m Cable



HDMI
Connector



F Coupler
Connector



Stereo Audio
3.5mm
Connector



Stereo Audio
6.3mm
Connector



Audio Video
(AV)
Connector



Mounting Frame
with Blank
Faceplate

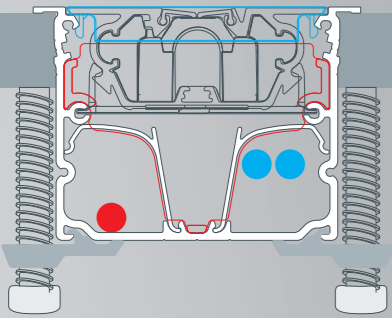


RH1

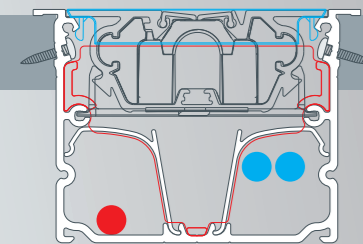
RECESS POWER AND CABLE MANAGEMENT TRACK

OVERVIEW

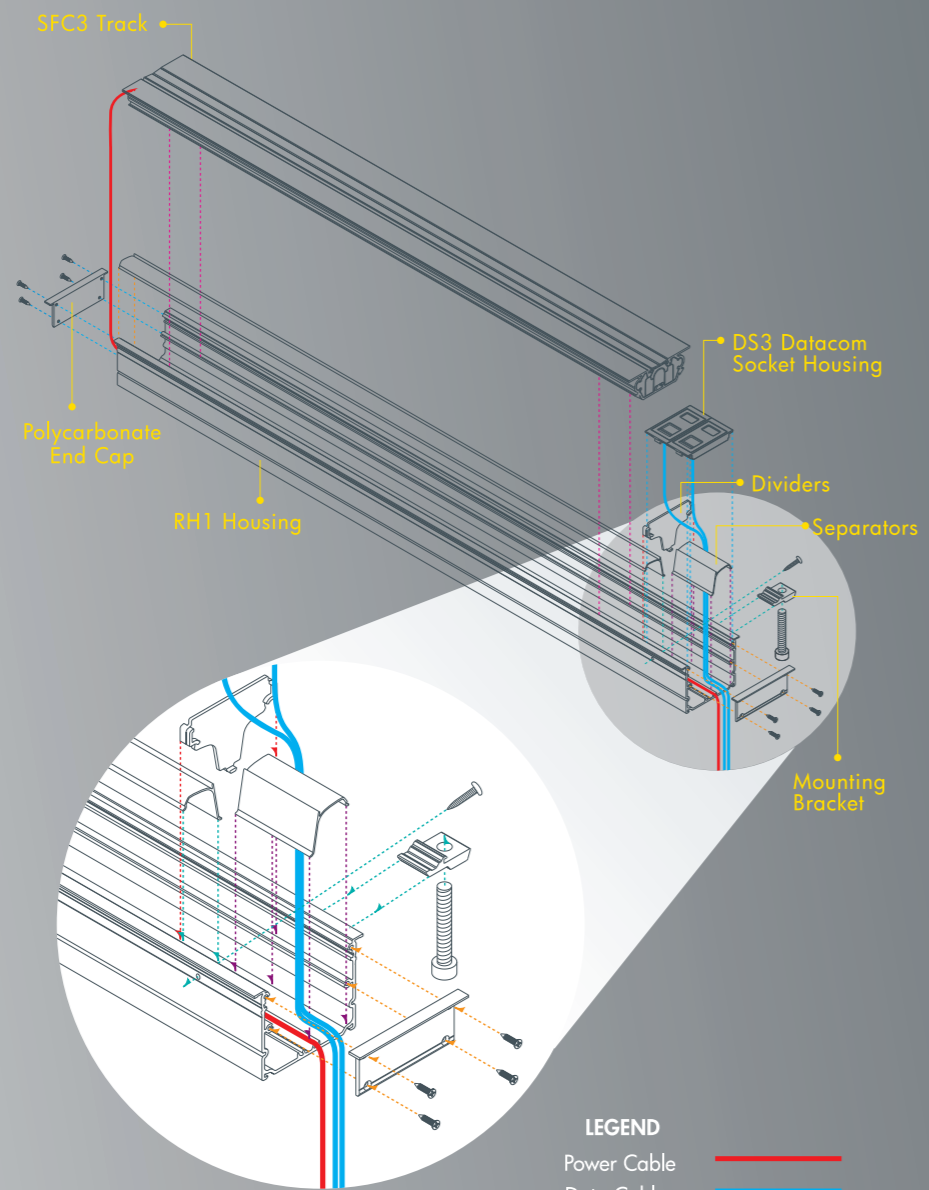
For mounting onto glass, granite, marble or timber.



For direct screw-mounting into timber, plywood, MDF board or chipboard.



INSTALLATION



LEGEND
Power Cable ———
Data Cable ———

RH Series

INTEGRATED POWER AND DATA SOLUTION

Designed with the Modular SFC3 GSS System Power Track, the RH series is the perfect solution for recessed power and data installations. RH series is easy to install, reducing installation time and cost.

AWARDS



FEATURES

RH1 Recess Power and Cable Management Track

- Easy to install
- Direct screw-mount into wooden table or panel
- Fasten on wooden table or panel (15mm and above)
- Optional clamp for glass or marble top (5mm to 57mm)
- Dedicated EMI shielded data management channels
- Large data compartment for up to 8 data cables (Cat 5e or Cat 6)
- Full aluminium trim
- Premium finishing

RH2 Recess Power and Data Track

- Low profile
- Easy to install
- Direct screw-mount into wooden table or panel
- Fasten on wooden table or panel (15mm and above)
- Optional clamp for glass or marble top (5mm to 33mm)
- Full aluminium trim
- Premium finishing

ULTRA LOW PROFILE



Smooth feel

DATA / MULTIMEDIA (Optional)



Direct feed-through Quick & easy access Switches/Circuit Breaker



Recess Mount

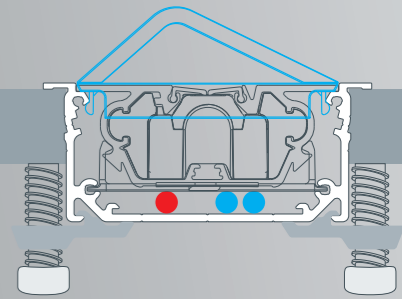


RH2

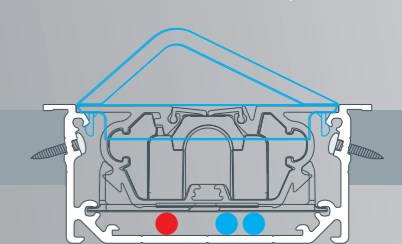
RECESS POWER AND DATA TRACK

OVERVIEW

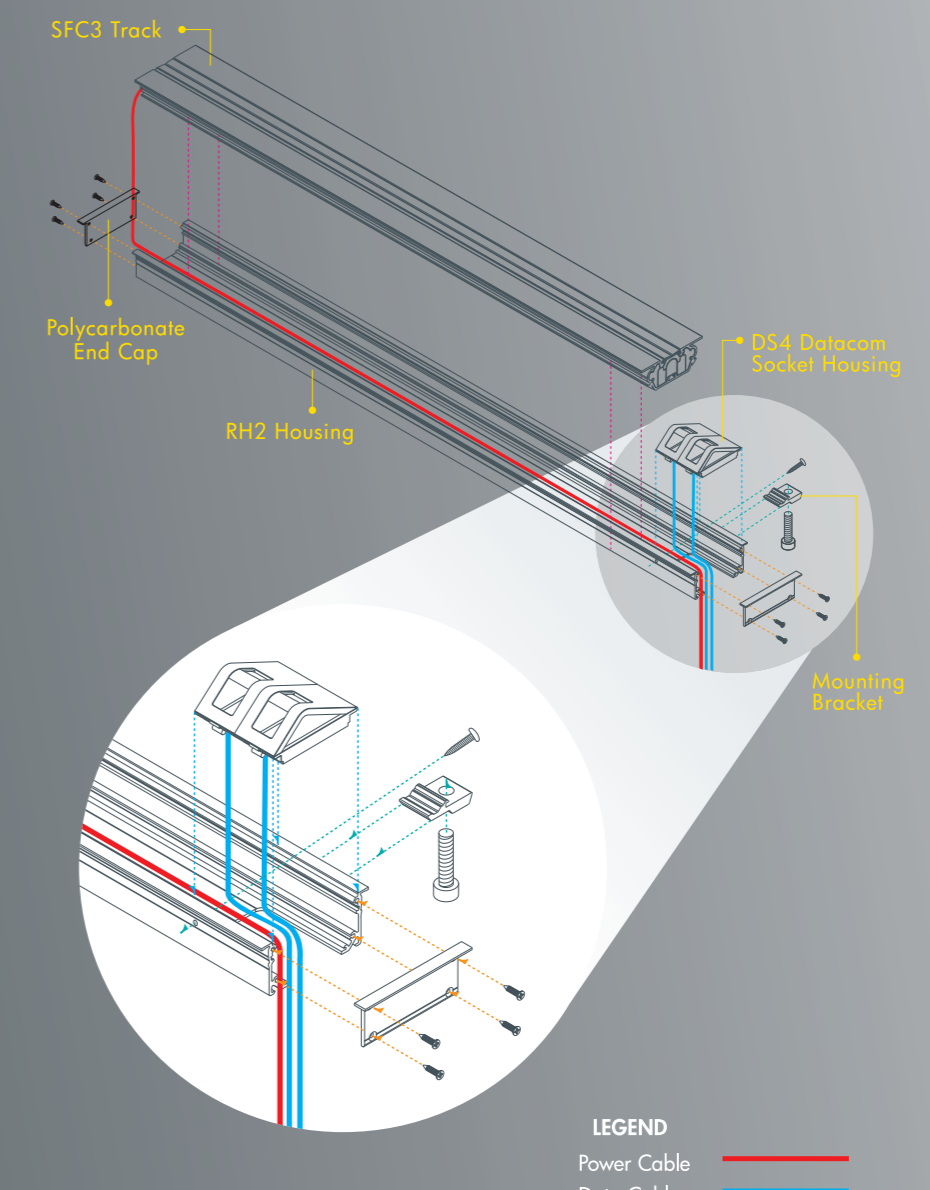
For mounting onto glass, granite, marble or timber.



For direct screw-mounting into timber, plywood, MDF board or chipboard.



INSTALLATION



LEGEND
Power Cable ———
Data Cable ———