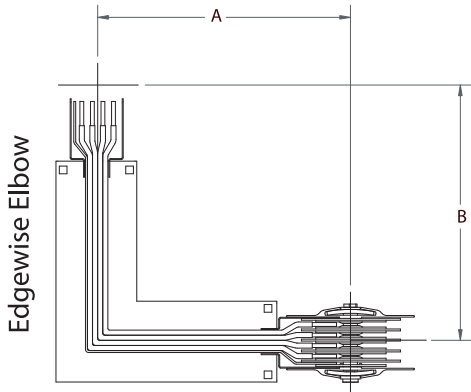


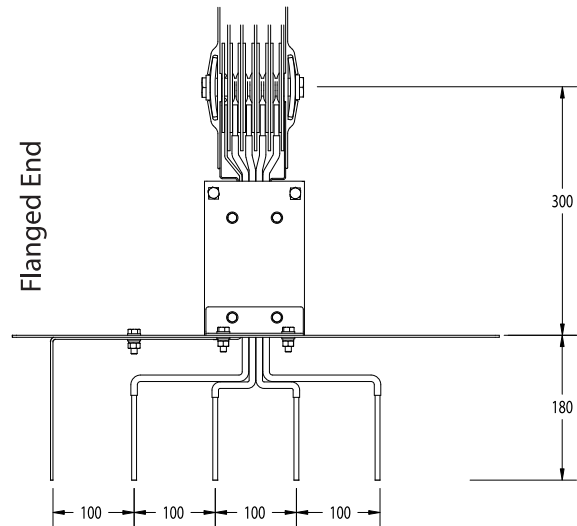
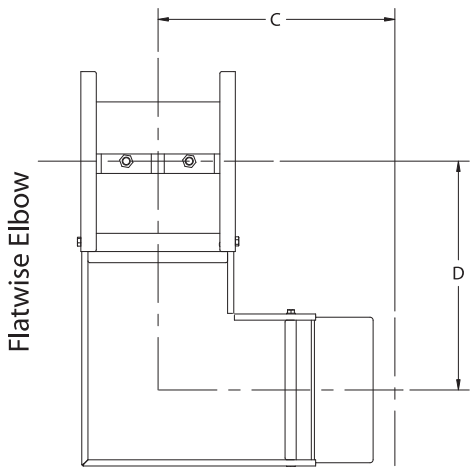
TECHNICAL DATA FOR POWER BUSWAY AND ACCESSORIES (COPPER CONDUCTOR)

Elbow

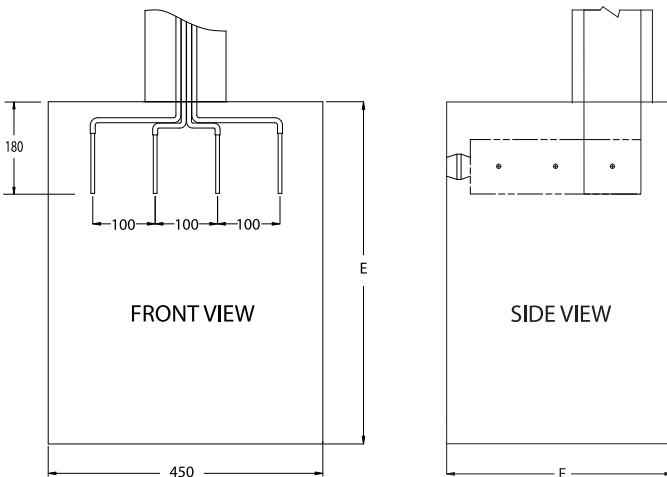


AMP	EDGEWISE ELBOW		FLATWISE ELBOW	
	A (mm)	B (mm)	C (mm)	D (mm)
630	300	300	300	300
800				
950				
1000				
1250				
1600			350	350
2000				
2250				
2500				
3000				
3200	450	450		
3500				
4000				
4500				
5000				
6300	550	550		

Table 1: Elbows



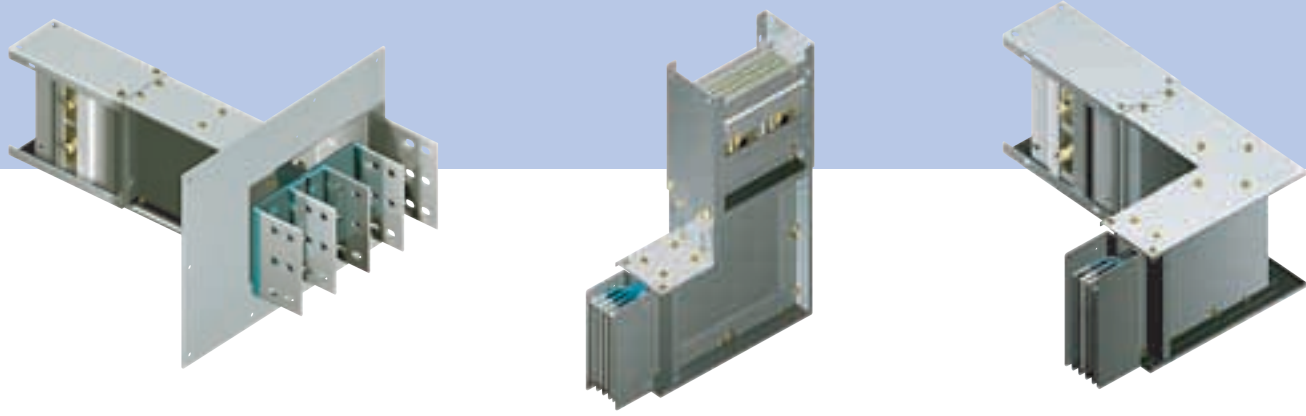
End Feed Cable Box



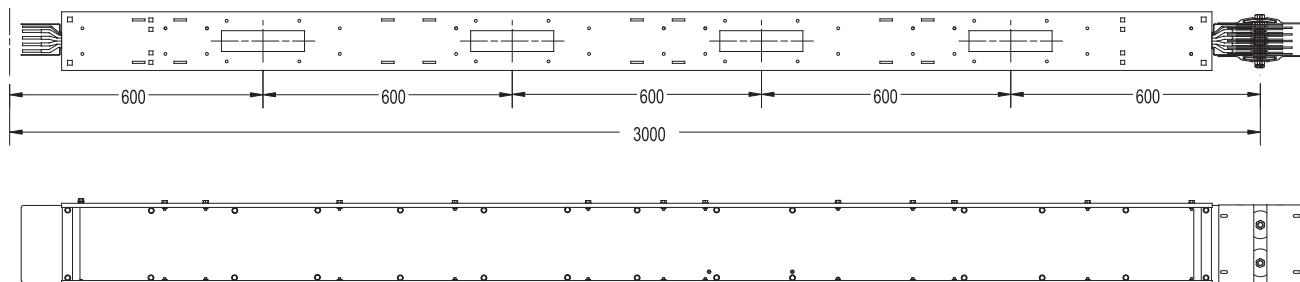
AMP	E (mm)	F (mm)
630	500	400
800	500	400
950	500	400
1000	600	450
1250	600	450
1600	600	450
1800	700	450
2000	700	450
2250	700	450
2500	700	450

Table 2: End Feed Cable Boxes

*All dimensions are in millimeters.



Plug-in Feeder



Flanged Ends

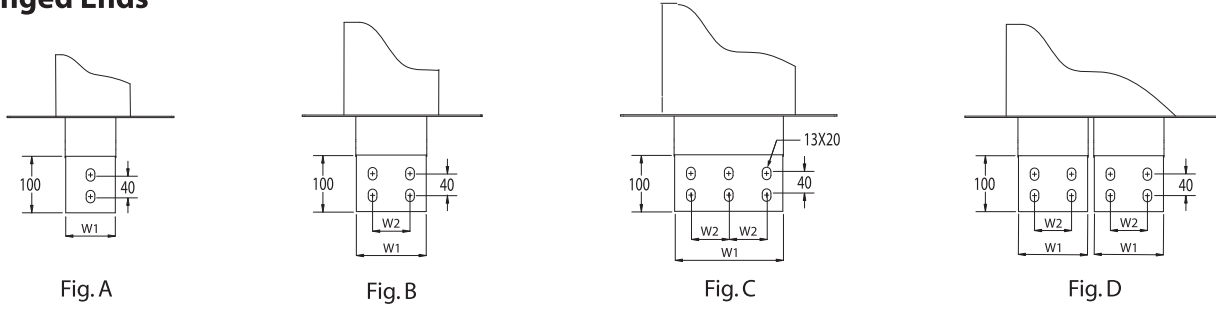
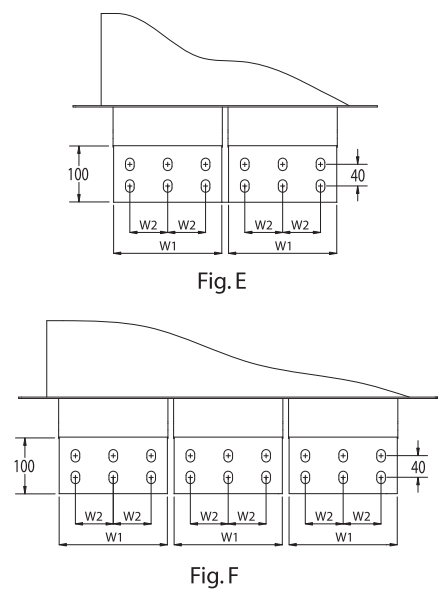


Figure	AMP	W1 (mm)	W2 (mm)
A	630	40	-
	800	50	
	950	60	
	1000	65	
B	1250	90	40
	1600	110	60
C	1800	125	65
	2000	140	45
	2250	175	55
	2500	200	65
D	3000	110	50
	3200	120	60
E	3500	140	45
	4000	150	50
	4500	175	55
	5000	200	65
F	6300	175	55

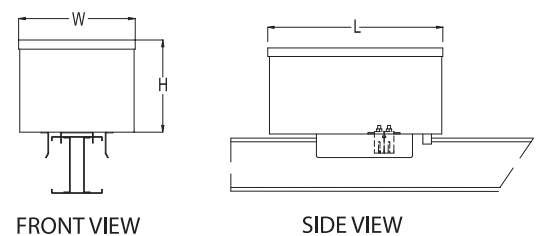
Table 3: Flanged Ends



Plug-in Box

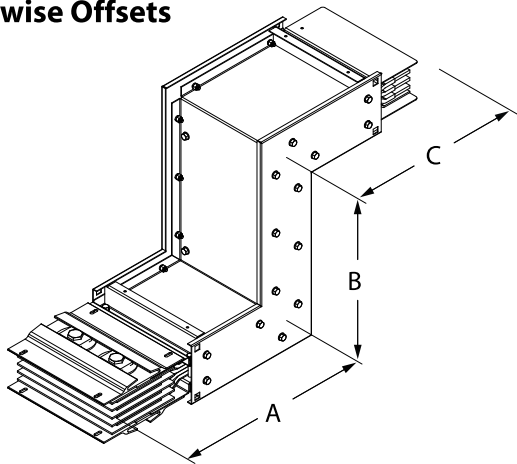
AMP	L (mm)	W (mm)	H (mm)
15A to 225A	400	250	200
250A to 400A	500	300	250
500A to 800A	1000	350	300
Exceed 800A	PLEASE CONSULT DAVIS FOR DETAILS		

Table 4: Plug-in Boxes



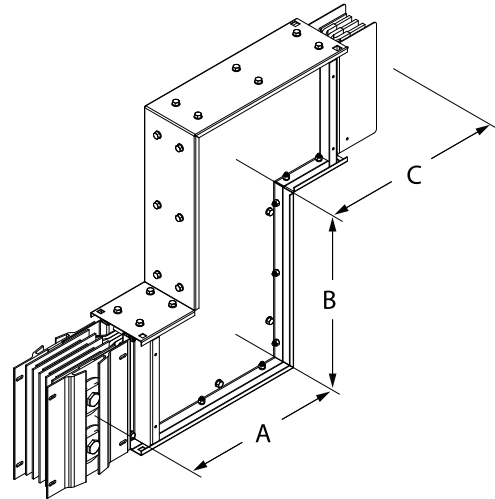
TECHNICAL DATA FOR POWER BUSWAY ACCESSORIES (COPPER CONDUCTOR)

Edgewise Offsets



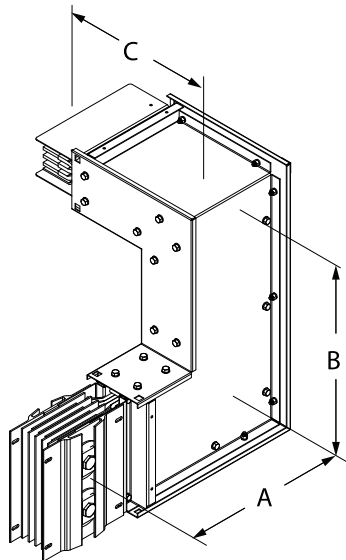
AMP	EDGEWISE OFFSET		
	A (mm)	B (mm)	C (mm)
630 - 2500	300	250	300
3000 - 5000	300	250	300
6300	300	250	300

Flatwise Offsets

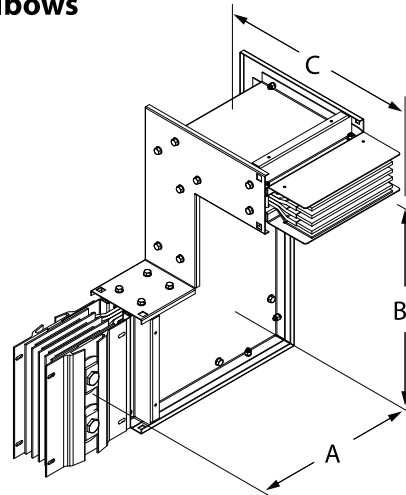


AMP	FLATWISE OFFSET		
	A (mm)	B (mm)	C (mm)
630 - 2500	350	350	350
3000 - 5000	500	550	500
6300	550	700	550

Combination Elbows



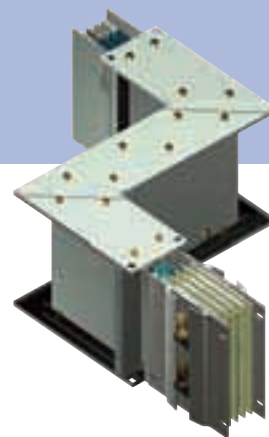
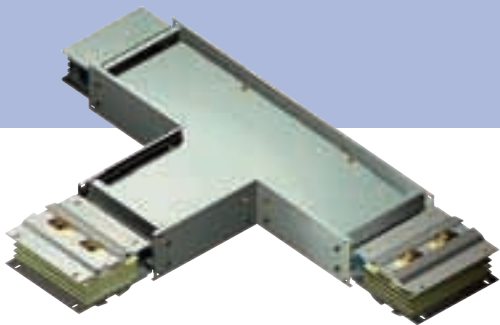
COMBINATION ELBOW
(LEFT)



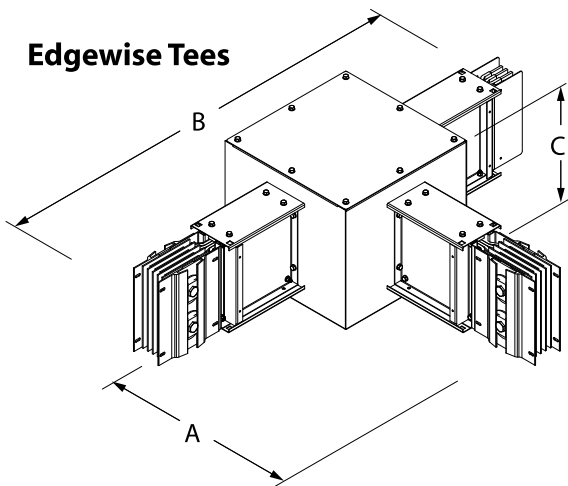
COMBINATION ELBOW
(RIGHT)

AMP	COMBINATION ELBOW		
	A (mm)	B (mm)	C (mm)
630 - 2500	350	300	300
3000 - 5000	500	400	300
6300	550	500	300

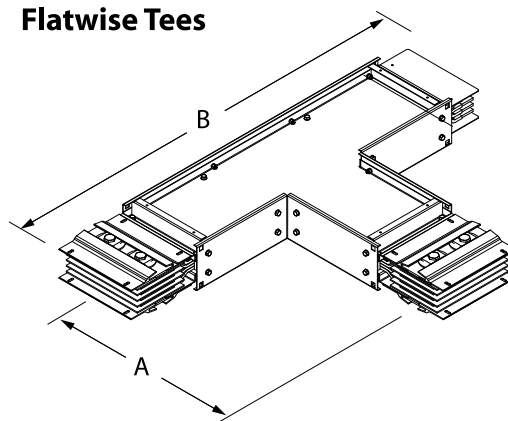
*All dimensions are in millimeters.



Edgewise Tees



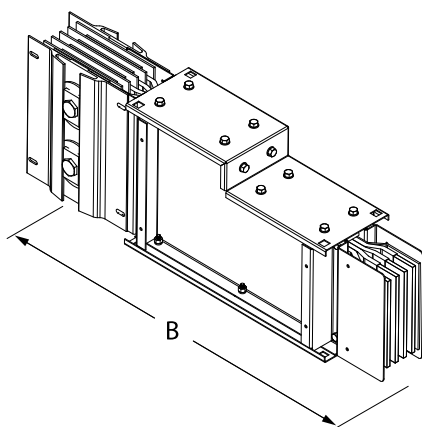
Flatwise Tees



AMP	EDGEWISE TEE		
	A (mm)	B (mm)	C (mm)
630 - 2500	500	1000	400
3000 - 5000	500	1000	600
6300	500	1000	700

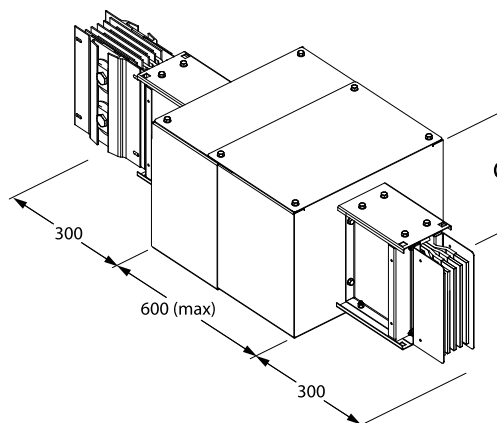
AMP	FLATWISE TEE	
	A (mm)	B (mm)
630 - 2500	350	700
3000 - 5000	500	1000
6300	550	1100

Reducer Units



AMP	REDUCER UNIT
	B (mm)
630 - 2500	600
3000 - 5000	600
6300	600

Expansion Units



AMP	EXPANSION UNIT
	C (mm)
630 - 2500	350
3000 - 5000	550
6300	700